

# 1E EJB Junction Boxes

Cl. I, Div. 1 and 2, Groups B, C, D Ex d IIB + H<sub>2</sub> T6, IP66  
 Cl. II, Div. 1, Groups E, F, G Explosionproof  
 Cl. II, Div. 2, Groups F, G Dust-Ignitionproof  
 Cl. III Raintight  
 NEMA 3, 4, 4X\*, 7, 9 Wet Locations

## Applications:

EJB junction boxes are used in threaded rigid conduit systems in hazardous areas:

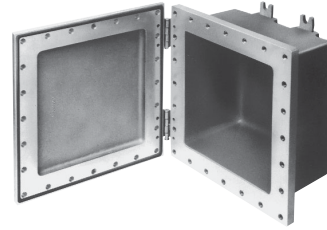
- As a junction or pull box
- To provide enclosures for splices and branch circuit taps
- For housing terminal blocks, relays and other electrical devices
- Indoors or outdoors in damp, wet, dusty, corrosive, hazardous locations
- Where exposure to frequent or heavy rain, water, spray, moisture, and humidity is common, such as: offshore drilling facilities, cooling towers, coal preparation and handling facilities and sewage and waste water treatment plant
- In areas which are hazardous due to the presence of hydrogen or gases and vapors of equivalent hazard such as found in process industries, missile bases and gas manufacturing plants

## Features:

- Style C boxes provided with aluminum plate cover as standard, allowing for field addition of cover device holes
- Stainless steel cover bolts (Style C only)
- Ground joint cover opening provides maximum opening for pulling wires or mounting equipment
- Walls of bodies may be drilled and tapped for conduit entries as shown in listings
- Stud bolts in diagonally opposite corners of body aid in aligning cover to body during installation (not furnished with hinged covers)
- All Style C bodies are provided with captive, triple lead, quick release hex head stainless steel bolts with spring loaded action which provides clear indication that cover bolts are fully retracted from the body
- External flange design – wide unobstructed cover opening provides a completely accessible interior for wiring and electrical equipment
- Square corners of enclosure body provide maximum interior space and area for conduit openings
- Internal grounding lug provides a means to ground enclosed equipment
- Special neoprene cover gasket provides a watertight seal to meet NEMA 4 requirements, and provides superior protection for enclosed equipment against water/corrosion
- IEC rated when ordered with ATEX suffix
- Enclosures are machined for field installed mounting plates
- Detachable mounting feet provide mounting flexibility. No need to replace enclosure if mounting feet are broken.
- Optional stainless steel hinges provide convenient and easy access for inspection, maintenance and systems changes
- Enclosures are machined to accept field installed hinges



EJB121208 with optional hinged cover



EJB121208 with optional hinged cover and standard neoprene cover gasket

## Certifications and Compliances:

- NEC/CEC
  - Class I, Divisions 1 and 2, Groups B\*, C† and D‡
  - Class II, Division 1, Groups E, F and G
  - Class II, Division 2, Groups F and G
  - Class III
  - Class I, Zones 1 and 2
- UL Standard 1203
- cUL to CSA Standard C22.2 No. 30
- ATEX: Ex d IIB + H<sub>2</sub> T6, IP66  
ATEX certificate: PTB 01 ATEX 1020 U
- Enclosure Type 3, 3R, 4, 4X\*, 7BCD, 9EFG
- IEC Standard EN:60079-0 and EN:60079-1

## Standard Materials:

- Body and cover – copper-free aluminum (suffix -SA items and all Style C), *Feraloy*® iron alloy (Style D)
- Gasket – neoprene
- Cover bolts – stainless steel (Style C), steel (Style D)
- Hinges – stainless steel

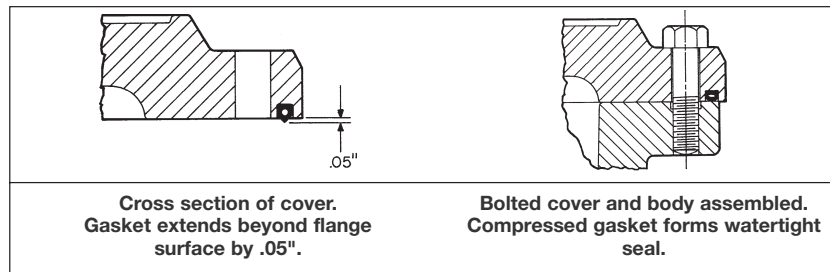
## Standard Finishes:

- Copper-free aluminum – natural
- *Feraloy* iron alloy – electrogalvanized and aluminum acrylic paint
- Steel – electrogalvanized
- Extruded aluminum – natural

## Options:

Description	Suffix
• Hinged covers Hinges mounted on left (short side) .....	<b>S598</b>
Available on all Style C and the following Style D enclosures: EJB101008-SA, EJB120804, EJB120804-SA, EJB120808-SA, and EJB141006-SA Hinge kits for field installation (no field machining required) –	<b>EJB KIT 1 (2 hinges)</b>
• EJB100806 through 361208.....	<b>EJB KIT 3 (3 hinges)</b>
• EJB361808 .....	<b>EJB KIT 4 (4 hinges)</b>
• EJB362408 .....	<b>EJB KIT 5 (2 hinges)</b>
• For EJB101008-SA, EJB120804, EJB120804-SA, EJB120808-SA and EJB141006-SA.....	<b>MP Information on request</b>
Factory installed mounting plates for relays, terminal blocks, electrical devices, etc. –	
• Aluminum mounting plate kit for field installation (kit includes aluminum mounting plate, pillars and mounting hardware). No field machining required. See Ordering Information on next page.....	<b>ATEX</b>
• Factory installed terminal blocks.....	
• ATEX Certified .....	

## Gasket Detail



\*For Group B, install sealing fitting in each conduit run within 18" of the enclosure. To meet 4X requirement, add suffix S752 or S753.  
 †EJB361208, 361808, 362408 and all style D enclosures require sealing fittings within 18" of enclosure for each conduit run for Group C locations.  
 ‡Style D enclosures require sealing fittings within 18" of enclosure for each conduit run for Group D locations.  
 For conduit liner ordering information, see page 860.

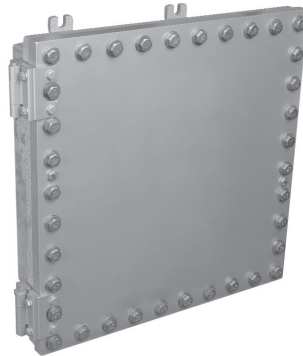
# EJB Junction Boxes

Cl. I, Div. 1 and 2, Groups B, C, D Ex d IIB + H<sub>2</sub> T6, IP66  
 Cl. II, Div. 1, Groups E, F, G Explosionproof  
 Cl. II, Div. 2, Groups F, G Dust-Ignitionproof  
 Cl. III Raintight  
 NEMA 3, 4, 4X\*, 7, 9 Wet Locations

**1E**



Style D



Style C – EJB121208\* with optional hinged cover

## Ordering Information:

Junction boxes listed can be furnished with drilled and tapped openings, subject to material required and the limitations of maximum size and number of openings as well as spacing, as shown in Tables 1 and 2.

## To Order:

### Step 1

Select the box required from photos at left, listings, and dimensional drawings on next pages.

### Step 2

Select standard conduit arrangement from Table 1 and maximum size conduit opening required from Table 2.

### Step 3

Select appropriate symbol for required drilled and tapped opening from Table 3.

Example:

Step 1 – Box required – EJB080806

Step 2 – Arrangement – 2

Step 3 – Openings – two 1" drilled and tapped holes in top and bottom and two 2" drilled and tapped holes on each side.

Step 4 – Symbols are substituted and written in clockwise order starting with "a." When no opening is required at a particular location, use symbol "0" (zero).

For this example: CC, GG, CC, GG.

Complete Cat. No. is made up of three parts: Part 1 – box number; Part 2 – arrangement number; Part 3 – symbols for conduit openings. For this example: EJB080806-2-CC-GG-CC-GG

If none of the standard arrangements meet requirements, send a sketch showing junction box number with size and location of each conduit opening desired.

### Nominal Inside Dimensions

Style	Material	Cat. #	Sides (aa)	Top & Bottom (bb)	Depth	Mounting Plate
D	Iron	EJB060404	4	6	4	MP0406
D	Iron	EJB080604	6	8	4	MP0608
D	Iron	EJB080606	6	8	6	MP0608
D	Iron	EJB080806	8	8	6	MP0808
D	Iron	EJB120804	8	12	4	MP0812
D	Iron	EJB160404	4	16	4	MP0416
D	Aluminum	EJB060404 SA	4	6	4	MP0406
D	Aluminum	EJB080604 SA	6	8	4	MP0608
D	Aluminum	EJB080606 SA	6	8	6	MP0608
D	Aluminum	EJB080806 SA	8	8	6	MP0808
D	Aluminum	EJB120604 SA	6	12	4	MP0612
D	Aluminum	EJB120804 SA	8	12	4	MP0812
D	Aluminum	EJB120808 SA	8	12	8	MP0812
D	Aluminum	EJB160404 SA	4	16	4	MP0416
D	Aluminum	EJB101008 SA	10	10	8	MP1010
D	Aluminum	EJB141006 SA	10	14	6	MP1014
C	Aluminum	EJB100806	8	10	6	MP0810
C	Aluminum	EJB121204	12	12	4	MP1212
C	Aluminum	EJB121206	12	12	6	MP1212
C	Aluminum	EJB121208	12	12	8	MP1212
C	Aluminum	EJB161606	16	16	6	MP1616
C	Aluminum	EJB161608	16	16	8	MP1616
C	Aluminum	EJB181206	12	18	6	MP1218
C	Aluminum	EJB181208	12	18	8	MP1218
C	Aluminum	EJB241208	12	24	8	MP1224
C	Aluminum	EJB241210	12	24	10	MP1224
C	Aluminum	EJB241808	18	24	8	MP1824
C	Aluminum	EJB241810	18	24	10	MP1824
C	Aluminum	EJB242408	24	24	8	MP2424
C	Aluminum	EJB242410	24	24	10	MP2424
C	Aluminum	EJB361208	12	36	8	MP1236
C	Aluminum	EJB361808	18	36	8	MP1836
C	Aluminum	EJB361810	18	36	10	MP1836
C	Aluminum	EJB362408	24	36	8	MP2436
C	Aluminum	EJB602212†	22	60	12	MP2260

†Class I, Division 1 and 2, Groups C and D only.

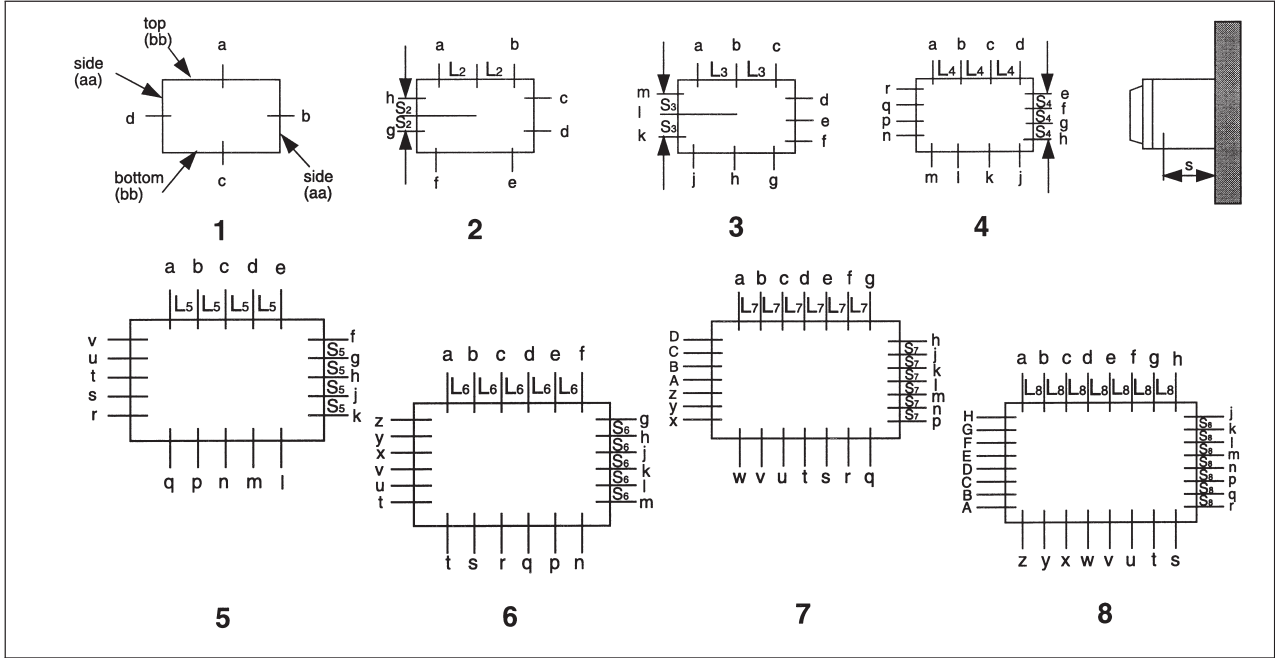
\*See Compliances on previous page.

For conduit liner ordering information, see page 860.

# 1E EJB Junction Boxes

## Ordering Information

**Table 1**  
Conduit Arrangement Diagrams



1E

**Table 2**  
Conduit Arrangements – Style D

Maximum Trade Size and Number of Openings

Cat. #	Top and Bottom (bb)*				Sides (aa)				Spacing Dimensions						
	1	2	3	4	1	2	3	4	S	L <sub>2</sub>	S <sub>2</sub>	L <sub>3</sub>	S <sub>3</sub>	L <sub>4</sub>	S <sub>4</sub>
EJB060404	2	1 <sup>1</sup> / <sub>4</sub>	1/2	—	2	1/2	—	—	2 <sup>5</sup> / <sub>8</sub>	1 <sup>5</sup> / <sub>8</sub>	1 <sup>1</sup> / <sub>16</sub>	2 <sup>1</sup> / <sub>8</sub>	—	—	—
EJB080604	2	2	1	1/2	2	1 <sup>1</sup> / <sub>4</sub>	1/2	—	2 <sup>5</sup> / <sub>8</sub>	2 <sup>1</sup> / <sub>8</sub>	1 <sup>5</sup> / <sub>8</sub>	2 <sup>3</sup> / <sub>4</sub>	2 <sup>1</sup> / <sub>8</sub>	2 <sup>1</sup> / <sub>16</sub>	—
EJB080606	3 <sup>1</sup> / <sub>2</sub>	2	1	1/2	3 <sup>1</sup> / <sub>2</sub>	1 <sup>1</sup> / <sub>4</sub>	1/2	—	3 <sup>3</sup> / <sub>4</sub>	2 <sup>1</sup> / <sub>4</sub>	1 <sup>5</sup> / <sub>8</sub>	2 <sup>3</sup> / <sub>4</sub>	2 <sup>1</sup> / <sub>8</sub>	2 <sup>1</sup> / <sub>16</sub>	—
EJB080806	3 <sup>1</sup> / <sub>2</sub>	2	1	1/2	3 <sup>1</sup> / <sub>2</sub>	2	1	1/2	3 <sup>3</sup> / <sub>4</sub>	2 <sup>1</sup> / <sub>4</sub>	2 <sup>1</sup> / <sub>4</sub>	2 <sup>3</sup> / <sub>4</sub>	2 <sup>3</sup> / <sub>4</sub>	2 <sup>1</sup> / <sub>16</sub>	2 <sup>1</sup> / <sub>16</sub>
EJB101008	4	2 <sup>1</sup> / <sub>2</sub>	1 <sup>1</sup> / <sub>2</sub>	1	4	2 <sup>1</sup> / <sub>2</sub>	1 <sup>1</sup> / <sub>2</sub>	1	4 <sup>3</sup> / <sub>4</sub>	2 <sup>3</sup> / <sub>4</sub>	2 <sup>3</sup> / <sub>4</sub>	3 <sup>5</sup> / <sub>8</sub>	3 <sup>5</sup> / <sub>8</sub>	2 <sup>9</sup> / <sub>16</sub>	2 <sup>9</sup> / <sub>16</sub>
EJB120604	2	2	2	1 <sup>1</sup> / <sub>4</sub>	2	1 <sup>1</sup> / <sub>2</sub>	1/2	—	2 <sup>3</sup> / <sub>4</sub>	3	1 <sup>5</sup> / <sub>8</sub>	4 <sup>1</sup> / <sub>8</sub>	2 <sup>1</sup> / <sub>8</sub>	3 <sup>1</sup> / <sub>8</sub>	—
EJB120804	2	2	2	1 <sup>1</sup> / <sub>4</sub>	2	2	1	1/2	2 <sup>1</sup> / <sub>8</sub>	3	2 <sup>1</sup> / <sub>4</sub>	4 <sup>1</sup> / <sub>8</sub>	2 <sup>1</sup> / <sub>4</sub>	3 <sup>1</sup> / <sub>16</sub>	2 <sup>1</sup> / <sub>16</sub>
EJB120808	4	4	2	1 <sup>1</sup> / <sub>4</sub>	4	2	1	1/2	4 <sup>3</sup> / <sub>4</sub>	3 <sup>1</sup> / <sub>4</sub>	2 <sup>1</sup> / <sub>4</sub>	4 <sup>1</sup> / <sub>8</sub>	2 <sup>3</sup> / <sub>4</sub>	3 <sup>1</sup> / <sub>16</sub>	2 <sup>1</sup> / <sub>16</sub>
EJB141006	3 <sup>1</sup> / <sub>2</sub>	3 <sup>1</sup> / <sub>2</sub>	2 <sup>1</sup> / <sub>2</sub>	1 <sup>1</sup> / <sub>2</sub>	3 <sup>1</sup> / <sub>2</sub>	2 <sup>1</sup> / <sub>2</sub>	1 <sup>1</sup> / <sub>2</sub>	1	3 <sup>7</sup> / <sub>8</sub>	3 <sup>3</sup> / <sub>4</sub>	2 <sup>3</sup> / <sub>4</sub>	5	3 <sup>9</sup> / <sub>16</sub>	3 <sup>5</sup> / <sub>8</sub>	2 <sup>9</sup> / <sub>16</sub>
EJB160404	2	2	2	2	2	1/2	—	—	2 <sup>5</sup> / <sub>8</sub>	3	1 <sup>1</sup> / <sub>16</sub>	6	—	4 <sup>1</sup> / <sub>8</sub>	—

\*Top and bottom are longer dimensions on enclosures which are not square.

Conduit seals are required in all conduit entrances for Class I, Division 1, Group B hazardous areas, and for EJB361208, EJB361808, EJB361810, EJB362408, and all Style D enclosures when used in Class I, Division 1, Group C hazardous areas. For other sealing requirements, consult the National Electrical Code\*. Where standard arrangements are not adequate, special drilling and tapping can be ordered, or instructions can be provided for field drilling and tapping. Breathers and drains must be ordered separately. Maximum trade size for Group B application is 4".

## Ordering Information

**Table 2 - Continued**  
**Conduit Arrangements - Style C Drilled and Tapped Openings - Groups B‡, C and D**

Cat. #	Maximum Trade Size and Number of Openings								Sides (aa)							
	Top and Bottom (bb)*															
	1	2	3	4	5	6	7	8	1	2	3	4	5	6	7	8
EJB100806	3½	3	1½	1¼	—	—	—	—	3½	2½	1½	1¼	—	—	—	—
EJB121204	1½	1½	1½	1¼	1	¾	½	—	1½	1½	1½	1¼	1	¾	½	—
EJB121206	3½	3½	1½	1¼	1	¾	½	—	3½	3½	1½	1¼	1	¾	½	—
EJB121208	5	3½	1½	1¼	1	¾	½	—	5	3½	1½	1¼	1	¾	½	—
EJB161606	3½	3½	2½	2	1½	1¼	1	¾	3½	3½	2½	2	1½	1¼	1	¾
EJB161608	5	5	3	2	1½	1¼	1	¾	5	5	3	2	1½	1¼	1	¾
EJB181206	3½	3½	3½	2½	1½	1¼	1	¾	3½	3½	1½	1¼	1	¾	½	—
EJB181208	5	5	3½	2½	2	1½	1	1	5	3½	1½	1¼	1	¾	½	—
EJB241208	5	5	5	3½	3	2½	2	1½	5	3½	1½	1¼	1	1	½	—
EJB241210	6	6	5	3½	3	2½	2	1½	6	3½	1½	1¼	1	1	½	—
EJB241808	5	5	5	3½	3	2½	2	1½	5	5	3½	2½	2	1½	1¼	1
EJB241810	6	6	5	3½	3	2½	2	1½	6	6	3½	2½	2	1½	1¼	1
EJB242408	5	5	5	3½	3	2½	2	1½	5	5	5	3½	3	2½	2	1½
EJB242410	6	6	5	3½	3	2½	2	1½	6	6	5	3½	3	2½	2	1½
EJB361208	5	5	5	5	4	4	3½	2½	5	3½	1½	1¼	1	¾	½	—
EJB361808	5	5	5	5	4	4	3½	2½	5	5	3½	2½	2	1½	1¼	1
EJB361810	6	6	5	5	4	4	3½	2½	6	6	3½	2½	2	1½	1¼	1
EJB362408	5	5	5	5	4	4	3½	2½	5	5	5	3½	3	2½	2	1½

**Spacing Dimensions†**

Cat. #	S	L2	S2	L3	S3	L4	S4	L5	S5	L6	S6	L7	S7	L8	S8
EJB100806	3⅞	2¼	1⅞	3	2⅞	2¼	1¾	—	—	—	—	—	—	—	—
EJB121204	3	2¼	2¼	3⅞	3⅞	3⅞	3⅞	2	2	1¾	1¾	1½	1½	—	—
EJB121206	3¾	3	3	3⅞	3⅞	3⅞	3⅞	2	2	1¾	1¾	1½	1½	—	—
EJB121208	4¾	3	3	3⅞	3⅞	3⅞	3⅞	2	2	1¾	1¾	1½	1½	—	—
EJB161606	3¾	3	3	4⅞	4⅞	4⅞	4⅞	2¼	2¼	2½	2½	2	2	1¾	1¾
EJB161608	4¾	3¼	3¼	4⅞	4⅞	4⅞	4⅞	2¼	2¼	2½	2½	2	2	1¾	1¾
EJB181206	3¾	3	3	6	3⅞	4⅞	3⅞	2¼	2	2¼	1¾	2	1½	1¾	—
EJB181208	4¾	4⅞	3	6	3⅞	4⅞	3⅞	3¼	2	2¼	1¾	2	1½	2	—
EJB241208	5⅞	4⅞	3	8⅞	3⅞	6	3⅞	4⅞	2	3⅞	2	3¼	1½	2¼	—
EJB241210	6⅞	4¾	3	8⅞	3⅞	6	3⅞	4⅞	2	3⅞	2	3¼	1½	2¼	—
EJB241808	5¼	4⅞	4⅞	8⅞	6	6	4⅞	4⅞	3¼	3⅞	2¼	3¼	2½	2¼	2
EJB241810	6¼	4¾	4¾	8⅞	6	6	4⅞	4⅞	3¼	3⅞	2¼	3¼	2½	2¼	2
EJB242408	5⅞	4⅞	4⅞	8⅞	8⅞	6	6	4⅞	4⅞	3⅞	3⅞	3¼	3¼	2¼	2¼
EJB242410	6⅞	4¾	4¾	8⅞	8⅞	6	6	4⅞	4⅞	3⅞	3⅞	3¼	3¼	2¼	2¼
EJB361208	4¾	4⅞	3	8⅞	3⅞	8⅞	3⅞	5¼	2	5¼	1¾	5⅞	1½	3⅞	—
EJB361808	5½	4⅞	4⅞	8⅞	6	8⅞	4⅞	5¼	3¼	5¼	2¼	5⅞	2½	3⅞	2
EJB361810	6½	4¾	4¾	8⅞	6	8⅞	8⅞	5¼	3¼	5¼	2¼	5⅞	2½	3⅞	2
EJB362408	6	4¾	4⅞	8⅞	8⅞	6	8⅞	5¼	4⅞	5¼	3⅞	5⅞	3¼	3⅞	2¼

Conduit seals are required in all conduit entrances for Class I, Division 1, Group B hazardous areas, and for EJB361208, EJB361808, EJB361810, EJB362408, and all Style D enclosures when used in Class I, Division 1, Group C hazardous areas. For other sealing requirements, consult the National Electrical Code\*. Where standard arrangements are not adequate, special drilling and tapping can be ordered, or instructions can be provided for field drilling and tapping. Breathers and drains must be ordered separately. Maximum trade size for Group B application is 4".

**Table 3**  
**Symbols for Openings**

Conduit Size	Drilled and Tapped Hole Symbol
½	A
¾	B
1	C
1¼	E
1½	F
2	G
2½	H
3	J
3½	K
4	L
5	M
6	N
None	O

‡Maximum trade size for Group B applications is 4".

\*Top and bottom are longer dimensions on enclosures which are not square.

†Spacing dimensions for Group B boxes are based on use of EYS11-101 sealing fitting in conduit.

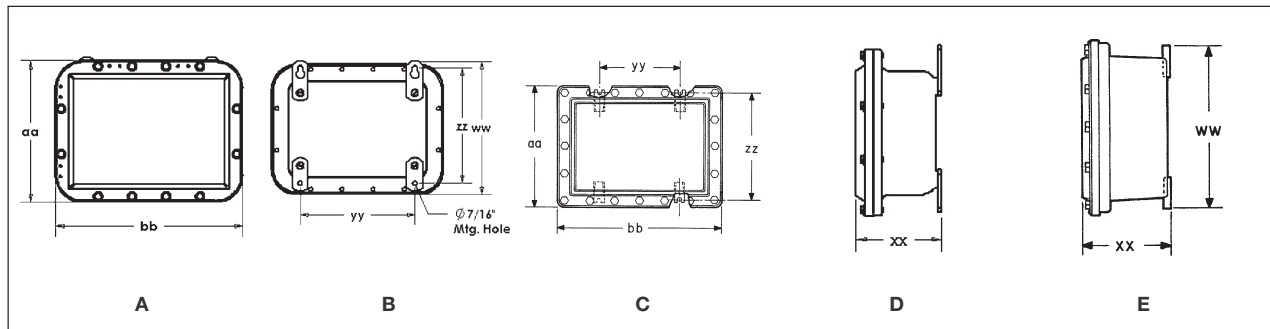
For conduit liner ordering information, see page 860.

# 1E EJB Junction Boxes

## Dimensions

### Dimensions

In Inches:



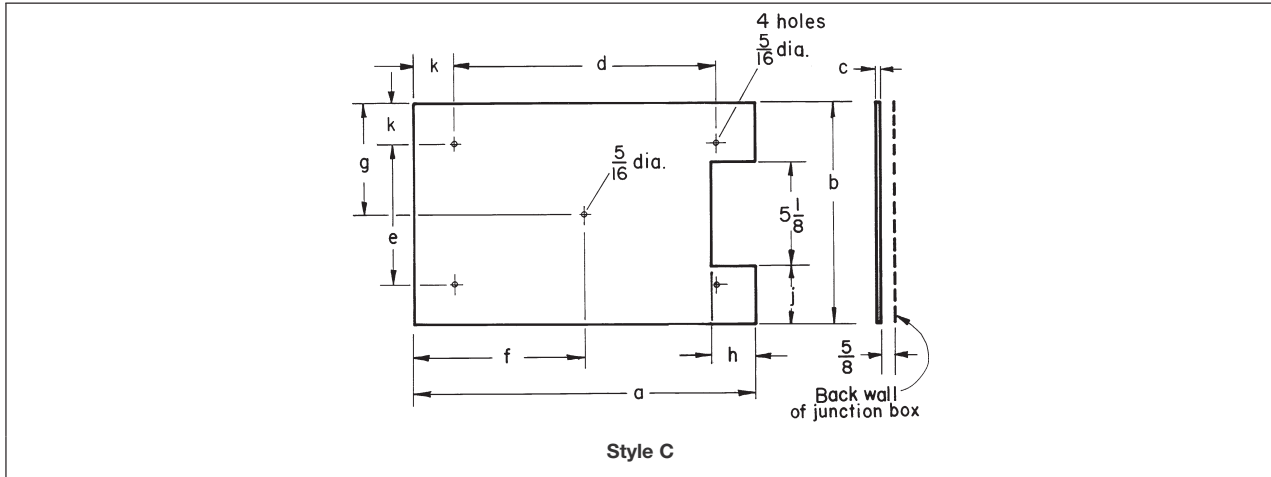
**Table 4**  
Outside Dimensions

Cat. #	Diagram	aa	bb	Mtg. Hole	ww	xx	yy	zz	Net Weight (lbs.) w/ Cover
EJB060404	A, B, D	8 <sup>11</sup> / <sub>32</sub>	10 <sup>11</sup> / <sub>32</sub>	7/16	8 <sup>3</sup> / <sub>4</sub>	6 <sup>1</sup> / <sub>8</sub>	5	7 <sup>1</sup> / <sub>8</sub>	43
EJB080604		10 <sup>15</sup> / <sub>32</sub>	12 <sup>15</sup> / <sub>32</sub>	7/16	10 <sup>25</sup> / <sub>32</sub>	6 <sup>3</sup> / <sub>16</sub>	7	9 <sup>1</sup> / <sub>8</sub>	64
EJB080606		10 <sup>15</sup> / <sub>32</sub>	12 <sup>15</sup> / <sub>32</sub>	7/16	10 <sup>25</sup> / <sub>32</sub>	8 <sup>3</sup> / <sub>16</sub>	7	9 <sup>1</sup> / <sub>8</sub>	84
EJB080806		12 <sup>15</sup> / <sub>32</sub>	12 <sup>15</sup> / <sub>32</sub>	7/16	12 <sup>25</sup> / <sub>32</sub>	8 <sup>7</sup> / <sub>32</sub>	7	11 <sup>1</sup> / <sub>8</sub>	98
EJB120804		12 <sup>1</sup> / <sub>2</sub>	16 <sup>1</sup> / <sub>2</sub>	7/16	12 <sup>13</sup> / <sub>16</sub>	6 <sup>3</sup> / <sub>8</sub>	11	11 <sup>1</sup> / <sub>8</sub>	103
EJB160404		8 <sup>1</sup> / <sub>2</sub>	20 <sup>1</sup> / <sub>2</sub>	7/16	8 <sup>13</sup> / <sub>16</sub>	6 <sup>5</sup> / <sub>32</sub>	15	7 <sup>1</sup> / <sub>8</sub>	86
EJB060404 SA		8 <sup>11</sup> / <sub>32</sub>	10 <sup>11</sup> / <sub>32</sub>	7/16	8 <sup>3</sup> / <sub>4</sub>	6 <sup>1</sup> / <sub>8</sub>	5	7 <sup>1</sup> / <sub>8</sub>	16
EJB080604 SA		10 <sup>15</sup> / <sub>32</sub>	12 <sup>15</sup> / <sub>32</sub>	7/16	10 <sup>25</sup> / <sub>32</sub>	6 <sup>3</sup> / <sub>16</sub>	7	9 <sup>1</sup> / <sub>8</sub>	24
EJB080606 SA		10 <sup>15</sup> / <sub>32</sub>	12 <sup>15</sup> / <sub>32</sub>	7/16	10 <sup>25</sup> / <sub>32</sub>	8 <sup>3</sup> / <sub>16</sub>	7	9 <sup>1</sup> / <sub>8</sub>	32
EJB080806 SA		12 <sup>15</sup> / <sub>32</sub>	12 <sup>15</sup> / <sub>32</sub>	7/16	12 <sup>25</sup> / <sub>32</sub>	8 <sup>7</sup> / <sub>32</sub>	7	11 <sup>1</sup> / <sub>8</sub>	37
EJB120604 SA		10 <sup>1</sup> / <sub>2</sub>	16 <sup>1</sup> / <sub>2</sub>	7/16	10 <sup>13</sup> / <sub>16</sub>	6 <sup>3</sup> / <sub>16</sub>	11	9 <sup>1</sup> / <sub>8</sub>	32
EJB120804 SA		12 <sup>1</sup> / <sub>2</sub>	16 <sup>1</sup> / <sub>2</sub>	7/16	12 <sup>13</sup> / <sub>16</sub>	6 <sup>3</sup> / <sub>8</sub>	11	11 <sup>1</sup> / <sub>8</sub>	39
EJB120808 SA		12 <sup>1</sup> / <sub>2</sub>	16 <sup>1</sup> / <sub>2</sub>	7/16	12 <sup>13</sup> / <sub>16</sub>	10 <sup>3</sup> / <sub>8</sub>	11	11 <sup>1</sup> / <sub>8</sub>	56
EJB160404 SA		8 <sup>1</sup> / <sub>2</sub>	20 <sup>1</sup> / <sub>2</sub>	7/16	8 <sup>13</sup> / <sub>16</sub>	6 <sup>5</sup> / <sub>32</sub>	15	7 <sup>1</sup> / <sub>8</sub>	33
EJB101008 SA	14 <sup>2</sup> / <sub>32</sub>	14 <sup>2</sup> / <sub>32</sub>	7/16	14 <sup>7</sup> / <sub>8</sub>	10 <sup>3</sup> / <sub>8</sub>	9	13 <sup>3</sup> / <sub>8</sub>	59	
EJB141006 SA	14 <sup>2</sup> / <sub>32</sub>	18 <sup>2</sup> / <sub>32</sub>	7/16	14 <sup>7</sup> / <sub>8</sub>	8 <sup>15</sup> / <sub>32</sub>	13	13 <sup>3</sup> / <sub>8</sub>	66	
EJB100806	C and E	13 <sup>1</sup> / <sub>32</sub>	15 <sup>1</sup> / <sub>32</sub>	9/16	12 <sup>1</sup> / <sub>4</sub>	8 <sup>9</sup> / <sub>16</sub>	5 <sup>1</sup> / <sub>2</sub>	11 <sup>1</sup> / <sub>4</sub>	60
EJB121204		17 <sup>1</sup> / <sub>16</sub>	17 <sup>1</sup> / <sub>16</sub>	9/16	16 <sup>1</sup> / <sub>8</sub>	6 <sup>13</sup> / <sub>16</sub>	5 <sup>1</sup> / <sub>2</sub>	15 <sup>5</sup> / <sub>8</sub>	60
EJB121206		17 <sup>1</sup> / <sub>16</sub>	17 <sup>1</sup> / <sub>16</sub>	9/16	16 <sup>1</sup> / <sub>8</sub>	8 <sup>7</sup> / <sub>8</sub>	5 <sup>1</sup> / <sub>2</sub>	15 <sup>5</sup> / <sub>8</sub>	70
EJB121208		17 <sup>1</sup> / <sub>16</sub>	17 <sup>1</sup> / <sub>16</sub>	9/16	16 <sup>1</sup> / <sub>8</sub>	10 <sup>7</sup> / <sub>8</sub>	5 <sup>1</sup> / <sub>2</sub>	15 <sup>5</sup> / <sub>8</sub>	80
EJB161606		21 <sup>3</sup> / <sub>16</sub>	21 <sup>3</sup> / <sub>16</sub>	9/16	20 <sup>1</sup> / <sub>8</sub>	8 <sup>7</sup> / <sub>8</sub>	9 <sup>1</sup> / <sub>2</sub>	19 <sup>5</sup> / <sub>8</sub>	103
EJB161608		21 <sup>3</sup> / <sub>16</sub>	21 <sup>3</sup> / <sub>16</sub>	9/16	20 <sup>1</sup> / <sub>8</sub>	10 <sup>7</sup> / <sub>8</sub>	9 <sup>1</sup> / <sub>2</sub>	19 <sup>5</sup> / <sub>8</sub>	113
EJB181206		17 <sup>3</sup> / <sub>16</sub>	23 <sup>3</sup> / <sub>16</sub>	9/16	16 <sup>1</sup> / <sub>8</sub>	8 <sup>7</sup> / <sub>8</sub>	11 <sup>1</sup> / <sub>2</sub>	15 <sup>5</sup> / <sub>8</sub>	101
EJB181208		17 <sup>3</sup> / <sub>16</sub>	23 <sup>3</sup> / <sub>16</sub>	9/16	16 <sup>1</sup> / <sub>8</sub>	10 <sup>7</sup> / <sub>8</sub>	11 <sup>1</sup> / <sub>2</sub>	15 <sup>5</sup> / <sub>8</sub>	110
EJB241208		17 <sup>3</sup> / <sub>16</sub>	29 <sup>3</sup> / <sub>16</sub>	9/16	16 <sup>1</sup> / <sub>8</sub>	11 <sup>3</sup> / <sub>4</sub>	17 <sup>1</sup> / <sub>2</sub>	15 <sup>5</sup> / <sub>8</sub>	149
EJB241210		17 <sup>3</sup> / <sub>16</sub>	29 <sup>3</sup> / <sub>16</sub>	9/16	16 <sup>1</sup> / <sub>8</sub>	13 <sup>3</sup> / <sub>4</sub>	17 <sup>1</sup> / <sub>2</sub>	15 <sup>5</sup> / <sub>8</sub>	160
EJB241808		23 <sup>3</sup> / <sub>16</sub>	29 <sup>3</sup> / <sub>16</sub>	1 <sup>1</sup> / <sub>16</sub>	23 <sup>1</sup> / <sub>2</sub>	12 <sup>1</sup> / <sub>4</sub>	17 <sup>1</sup> / <sub>4</sub>	21 <sup>7</sup> / <sub>8</sub>	243
EJB242408		29 <sup>3</sup> / <sub>16</sub>	29 <sup>3</sup> / <sub>16</sub>	1 <sup>1</sup> / <sub>16</sub>	29 <sup>1</sup> / <sub>2</sub>	12 <sup>5</sup> / <sub>16</sub>	16 <sup>1</sup> / <sub>4</sub>	27 <sup>7</sup> / <sub>8</sub>	296
EJB242410		29 <sup>3</sup> / <sub>16</sub>	29 <sup>3</sup> / <sub>16</sub>	1 <sup>1</sup> / <sub>16</sub>	29 <sup>1</sup> / <sub>2</sub>	14 <sup>5</sup> / <sub>16</sub>	16 <sup>1</sup> / <sub>4</sub>	27 <sup>7</sup> / <sub>8</sub>	322
EJB361208		17 <sup>1</sup> / <sub>16</sub>	41 <sup>1</sup> / <sub>16</sub>	9/16	16 <sup>1</sup> / <sub>8</sub>	11 <sup>11</sup> / <sub>16</sub>	29 <sup>1</sup> / <sub>2</sub>	15 <sup>5</sup> / <sub>8</sub>	185
EJB361808		23 <sup>15</sup> / <sub>16</sub>	41 <sup>15</sup> / <sub>16</sub>	1 <sup>1</sup> / <sub>16</sub>	23 <sup>1</sup> / <sub>2</sub>	12 <sup>7</sup> / <sub>16</sub>	28 <sup>1</sup> / <sub>4</sub>	21 <sup>7</sup> / <sub>8</sub>	351
EJB361810		23 <sup>15</sup> / <sub>16</sub>	41 <sup>15</sup> / <sub>16</sub>	1 <sup>1</sup> / <sub>16</sub>	23 <sup>3</sup> / <sub>4</sub>	14 <sup>1</sup> / <sub>4</sub>	28 <sup>1</sup> / <sub>4</sub>	21 <sup>7</sup> / <sub>8</sub>	396
EJB362408	30 <sup>3</sup> / <sub>16</sub>	42 <sup>3</sup> / <sub>16</sub>	1 <sup>1</sup> / <sub>16</sub>	31 <sup>1</sup> / <sub>4</sub>	12 <sup>5</sup> / <sub>8</sub>	28 <sup>1</sup> / <sub>4</sub>	29 <sup>1</sup> / <sub>2</sub>	571	

For conduit liner ordering information, see page 860.

## Mounting Plate Dimensions

**Table 5**  
Mounting Plate Dimensions



### Style C

Cat. #	a	b	c	d	e	f	g	h	j	k
MP0810‡	9	7	0.125	7	5			1 <sup>3</sup> / <sub>8</sub>	1 <sup>1</sup> / <sub>2</sub>	1
MP1212‡	11	11	0.125	9	9			1 <sup>3</sup> / <sub>8</sub>	1 <sup>1</sup> / <sub>2</sub>	1
MP1616‡	15	15	0.125	13	13			1 <sup>3</sup> / <sub>8</sub>	1 <sup>1</sup> / <sub>2</sub>	1
MP1218	17	11	0.125	13	7	8 <sup>1</sup> / <sub>2</sub>	5 <sup>1</sup> / <sub>2</sub>	2 <sup>3</sup> / <sub>8</sub>	2 <sup>1</sup> / <sub>2</sub>	2
MP1224	23	11	0.125	19	7	11 <sup>1</sup> / <sub>2</sub>	5 <sup>1</sup> / <sub>2</sub>	2 <sup>3</sup> / <sub>8</sub>	2 <sup>1</sup> / <sub>2</sub>	2
MP1824	22	16	0.125	19	13	11	8	1 <sup>7</sup> / <sub>8</sub>	2	1 <sup>1</sup> / <sub>2</sub>
MP2424	22	22	0.125	19	19	11	11	1 <sup>7</sup> / <sub>8</sub>	2	1 <sup>1</sup> / <sub>2</sub>
MP1236	34	10	0.125	31	7	17	5	1 <sup>7</sup> / <sub>8</sub>	2	1 <sup>1</sup> / <sub>2</sub>
MP1836	33 <sup>1</sup> / <sub>2</sub>	15 <sup>1</sup> / <sub>2</sub>	0.125	31	13	16 <sup>3</sup> / <sub>4</sub>	7 <sup>3</sup> / <sub>4</sub>	1 <sup>5</sup> / <sub>8</sub>	1 <sup>3</sup> / <sub>4</sub>	1 <sup>1</sup> / <sub>4</sub>
MP2436	34	22	0.125	31	19	17	11	1 <sup>7</sup> / <sub>8</sub>	2	1 <sup>1</sup> / <sub>2</sub>

‡Plate has no center hole.

\*Certifications and Compliances see page 730.

For conduit liner ordering information, see page 860.



# 1E EJB602212 Junction Box

Cl. I, Div. 1 & 2, Groups C, D  
Cl. II, Div. 1, Groups E, F, G  
Cl. II, Div. 2, Groups F, G  
Cl. III  
NEMA 3, 4, 7, 9

Explosionproof  
Dust-Ignitionproof  
Raintight  
Wet Locations

## Applications:

EJB602212 junction box is used in threaded rigid conduit systems in hazardous areas:

- As a junction or pull box
- As an enclosure for splices and branch circuit taps
- For housing terminal blocks, relays, and other electrical devices
- As a mounting box for multi-device control panels with EMP barrel assemblies (see section 5C)
- Indoors or outdoors in damp, wet, dusty, corrosive locations
- Where exposure to frequent or heavy rain, water, spray, moisture, and humidity is common, such as: offshore drilling facilities, cooling towers, coal preparation and handling facilities, and sewage and waste water treatment plants
- Which are hazardous due to the presence of gases or vapors such as those found in process industries, missile bases, and gas manufacturing plants

## Features:

- Ground joint cover opening provides maximum opening for pulling wires or mounting equipment
- Walls of enclosure may be drilled and tapped for conduit entries as shown in Table 2
- External flange design – wide unobstructed cover opening provides a completely accessible interior for wiring and electrical equipment
- Square corners of enclosure body provide maximum interior space and area for conduit openings
- Flat cover provides maximum space for mounting a greater number of control devices
- Internal grounding lug provides a means to ground enclosed equipment
- Special neoprene cover gasket provides a watertight seal to meet UL Type 4 (NEMA 4) requirements, and provides superior protection for enclosed equipment against water/corrosion
- Stainless steel cover bolts provide superior corrosion protection
- Enclosure is machined for field installed mounting plates
- Detachable mounting channels provide mounting flexibility. No need to replace enclosure if mounting channel is broken
- Aluminum hinges provide convenient and easy access for inspection, maintenance, and systems changes
- Safety chain attached to body and cover prevents accidental damage to hinges

## Certifications and Comiances:

- NEC:
  - Class I, Division 1 & 2, Groups C, D
  - Class II, Division 1, Groups E, F, G
  - Class II, Division 2, Groups F, G
  - Class III
- UL Standard: 1203
- UL Raintight
- CSA 22.2 No. 18 and 30
- NEMA 3, 4, 7CD, 9EFG

## Standard Materials:

- Body and cover – copper-free aluminum
- Gasket – neoprene
- Cover bolts – stainless steel
- Hinges – extruded aluminum

## Standard Finishes:

- Copper-free aluminum – natural
- Extruded aluminum – natural
- Stainless steel – natural
- Neoprene – natural

## Options:

Description	Suffix
Mounting plate kit for field installation (kit includes aluminum mounting plate, pillars, and mounting hardware).....	EJB-MP6022
Factory installed aluminum mounting plate for relays, terminal blocks, electrical devices, etc.....	MP

## Ordering Information:

EJB602212 can be furnished with drilled and tapped openings, subject to the limitations of maximum size and number of openings as well as spacing, as shown in Tables 1 and 2.



## To Order:

**Step 1**  
Specify box catalog number – EJB602212

**Step 2**  
Select standard conduit arrangement from Table 1 and maximum allowable size conduit opening from Table 2.

**Step 3**  
Select appropriate symbol for required drilled and tapped opening from Table 3.

**Example:**  
Step 1 – Box Cat. No. – EJB602212  
Step 2 – Arrangement – 2  
Step 3 – Openings – two 2" drilled and tapped holes in top and bottom and two 2 1/2" drilled and tapped holes evenly spaced on each side.  
Step 4 – Symbols are substituted and written in clockwise order starting with "a". When no opening is required at a particular location, use symbol "0" (zero). For this example: GG-0H0H0-GG-0H0H0. Complete Cat. No. is made up of three parts:  
Part 1 – box number;  
Part 2 – arrangement number;  
Part 3 – symbols for conduit openings. For this example the catalog number is: EJB602212-2-GG-0H0H0-GG-0H0H0.

For conduit liner ordering information, see page 860.

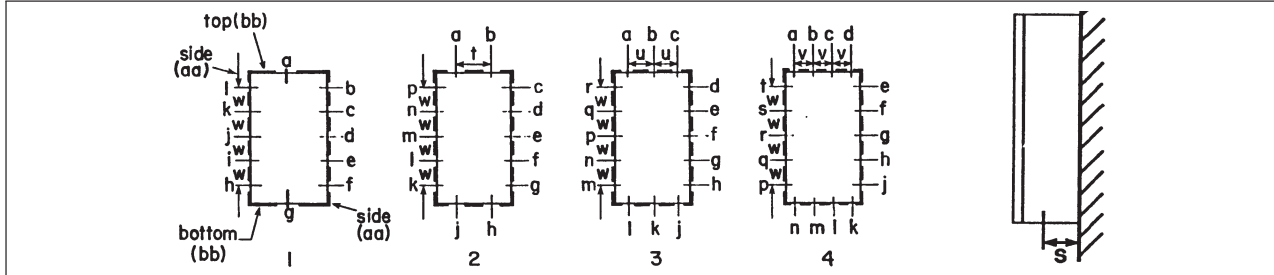
# EJB602212 Junction Box

Cl. I, Div. 1 & 2, Groups C, D  
 Cl. II, Div. 1, Groups E, F, G  
 Cl. II, Div. 2, Groups F, G  
 Cl. III  
 NEMA 3, 4, 7, 9

Explosionproof  
 Dust-Ignitionproof  
 Raintight  
 Wet Locations

**1E**

**Table 1**  
**Conduit Arrangement Diagrams**



**Table 2**  
**Conduit Arrangements**

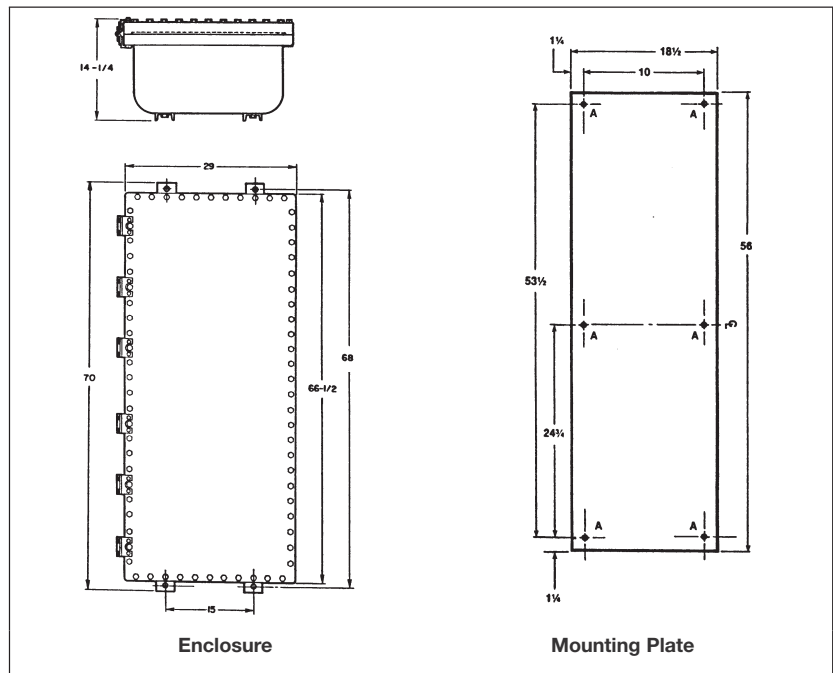
	Maximum Trade Size and Number of Openings										Spacing Dimensions				
	Top and Bottom (bb)				Sides (aa)						s	t	u	v	w
	1	2	3	4	1	2	3	4	5						
EJB602212†	6	6	4	3	6	6	6	6	6	6	6 3/4	10	7	5 5/8	10

**Table 3**  
**Symbols for Openings**

Conduit Size	Drilled and Tapped Hole Symbol
1/2	A
3/4	B
1	C
1 1/4	E
1 1/2	F
2	G
2 1/2	H
3	J
3 1/2	K
4	L
5	M
6	N
none	O

Conduit sealing fittings are required on all conduit entrances (within 18" of the enclosure) when used in Class I, Division 1, Group C hazardous areas. For other sealing requirements consult the National Electrical Code.\*

**Dimensions**  
 In Inches:



**Nominal Inside Dimensions**

Sides	Top & Bottom	Depth
60	22	12

For conduit liner ordering information, see page 860.

†Class I, Div. 1 and 2, Groups C and D only.