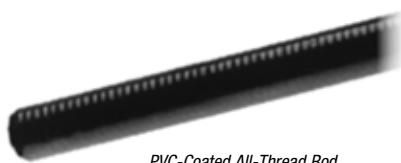


PVC-Coated Strut and Accessories

Continuously threaded rod for use with conduit hangers and strut to suspend overhead conduit runs.

PVC-Coated All-Thread Rod

- All-thread steel rod coated with nominal .015" (15 mil) PVC in blue, white or gray with custom colors available on request
- Available in ¼", ⅜" or ½" standard diameters and in 3-, 6- or 10-ft. standard lengths



PVC-Coated All-Thread Rod

Cat. No.	Diameter x Length	Color
THR3/8X3 - _		
_	= space for color identifier	
G	= Gray	
W	= White	
B	= Blue	
Custom colors also available.		

Ocal® PVC-Coated Steel All-Thread Rod

CAT. NO.	TRADE SIZE	
	IN.	LENGTH
	MM	FT. M
THR1/4X10- _	¼	10.00
	6.35	3.05
THR3/8X3- _	⅜	3.00
	9.53	0.91
THR3/8X6- _	⅜	6.00
	9.53	1.83
THR3/8X10- _	⅜	10.00
	9.53	3.05
THR1/2X3- _	½	3.00
	12.70	0.91
THR1/2X6- _	½	6.00
	12.70	1.83
THR1/2X10- _	½	10.00
	12.70	3.05

Designed for easy attachment of conduit to strut!

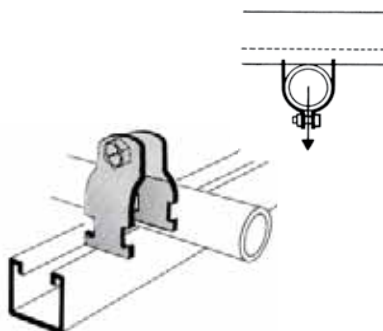
PVC-Coated Pipe Straps for Strut

Just twist-insert these pipe straps anywhere you need them along the slot side of a channel. For additional flexibility, you can position the straps as closely as your pipe couplings permit.

- Combination slot and hex head bolt for flexibility of attachment
- Captivated square nut on shoulder enables easy one-handed tightening
- Use with either 1⅝" or 1½" strut for greater versatility
- Shipped pre-assembled for easier counting, sorting and handling
- Available with nominal .015" (15 mil) PVC coating in your choice of blue, white or gray standard colors (custom colors also available on request)



PVC-Coated Pipe Strap



Cat. No.	Size	Color
SS1- - _		
_	= space for color identifier	
G	= Gray	
W	= White	
B	= Blue	
Custom colors also available.		

Ocal® PVC-Coated Strut Pipe Straps

CAT. NO.	PIPE SIZE	
	IN.	METRIC SIZE DESIGNATOR*
SS1/2- _	½	16
	16	
SS3/4- _	¾	21
	21	
SS1- _	1	27
	27	
SS1-1/4- _	1¼	35
	35	
SS1-1/2- _	1½	41
	41	
SS2- _	2	53
	53	
SS2-1/2- _	2½	63
	63	
SS3- _	3	78
	78	
SS3-1/2- _	3½	91
	91	
SS4- _	4	103
	103	
SS5- _	5	129
	129	

* Metric size designator (ANSI C80.1-1994).