

## PVC-Coated Conduit and Accessories

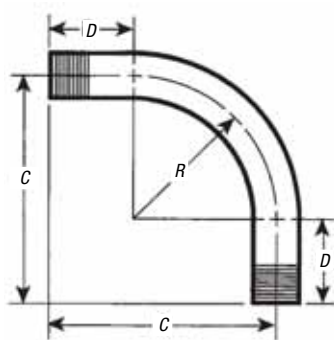
Factory bent to save wasted time and materials!

### OCAL-BLUE® Standard-Radius Elbows



- Fabricated from Ocal® PVC-coated conduit
- Standard radii in 30°, 45°, 60° and 90° available for immediate shipment
- Color-coded thread protectors for easy identification of conduit size

CAT. NO.		PIPE SIZE	RADIUS "R"	OFFSET "C"	STRAIGHT END "D"	UNBENT LENGTH	WEIGHT EACH
STEEL	ALUMINUM	IN. METRIC SIZE DESIGNATOR*	IN. MM	IN. MM	IN. MM	IN. MM	LBS. KG
ELL1/2-_-	ELL1/2-_-SA-_-	½ 16	4.00 101.60	6.00 152.40	2.00 50.80	10.28 261.19	.67 16.95
ELL3/4-_-	ELL3/4-_-SA-_-	¾ 21	4.50 114.30	6.50 165.10	2.00 50.80	11.07 281.14	.95 24.07
ELL1-_-	ELL1-_-SA-_-	1 27	5.75 146.05	8.00 203.20	2.25 57.15	13.53 343.71	1.77 44.97
ELL11/4-_-	ELL11/4-_-SA-_-	1¼ 35	7.25 184.15	9.50 241.30	2.25 57.15	15.89 403.56	2.55 64.80
ELL11/2-_-	ELL11/2-_-SA-_-	1½ 41	8.25 209.55	11.00 279.40	2.75 69.85	18.46 468.86	3.98 101.13
ELL2-_-	ELL2-_-SA-_-	2 53	9.50 241.30	13.00 330.20	3.50 88.90	21.92 556.83	6.33 160.86
ELL21/2-_-	ELL21/2-_-SA-_-	2½ 63	10.50 266.70	14.00 355.60	3.50 88.90	23.49 596.73	9.65 245.09
ELL3-_-	ELL3-_-SA-_-	3 78	13.00 330.20	16.50 419.10	3.50 88.90	27.42 696.48	15.42 391.77
ELL31/2-_-	ELL31/2-_-SA-_-	3½ 91	15.00 381.00	20.75 527.05	5.75 146.05	35.06 890.57	23.30 591.84
ELL4-_-	ELL4-_-SA-_-	4 103	16.00 406.40	21.75 552.45	5.75 146.05	36.63 930.47	29.68 753.80
ELL5-_-	ELL5-_-SA-_-	5 129	24.00 609.60	31.00 787.40	7.00 177.80	51.70 1313.16	60.82 1544.89
ELL6-_-	ELL6-_-SA-_-	6 155	30.00 762.00	39.00 990.60	9.00 228.60	65.12 1654.15	85.69 2176.51



ITEM	PIPE SIZE	ANGLE	MATERIAL	COLOR
<b>ELL3/4 -</b>	-	-	-	-
		30 = 30°	Blank = Steel	G = Gray
		45 = 45°	SA = Aluminum	W = White
		60 = 60°		B = Blue
		Blank = 90°		

Custom colors also available.

**Catalog No. Example:**  
ELL3/4SA-W is a ¾" trade size 90° aluminum elbow coated in white PVC.